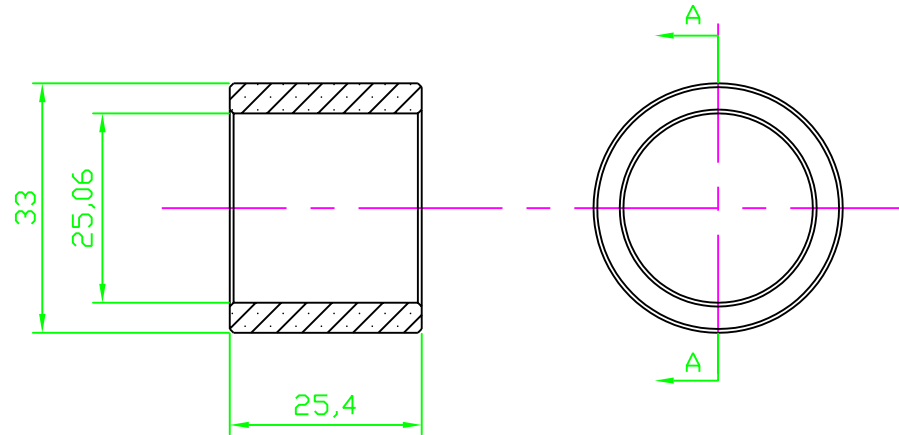


Section A - A



Drawn By	CCG	Scale	1 : 1	
BSA M20 Crank bearing distance piece			26 AUG	
			2008	
Material	mild steel			