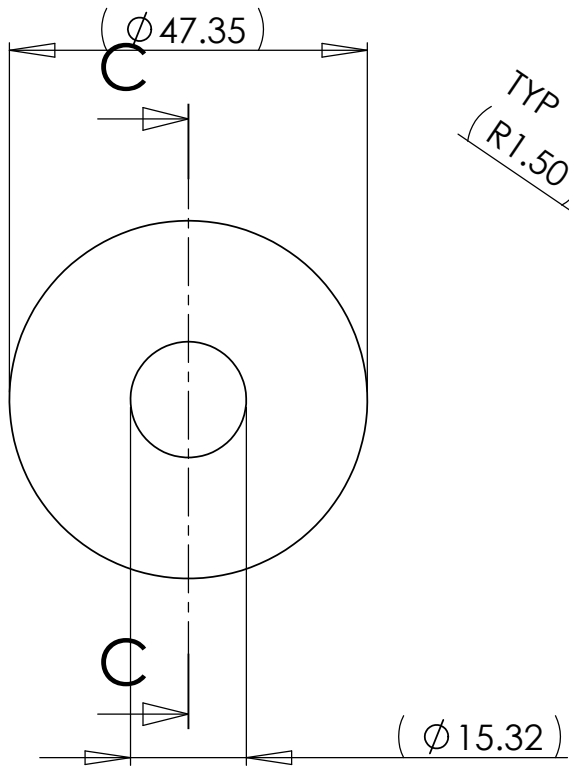
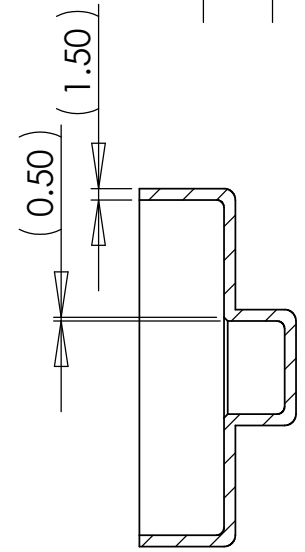
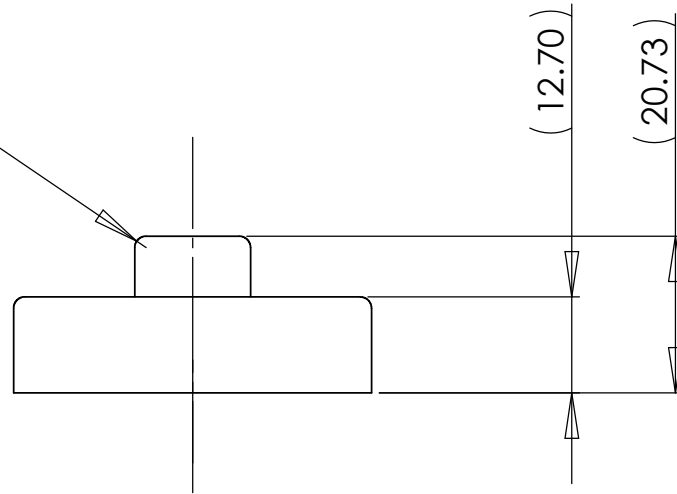


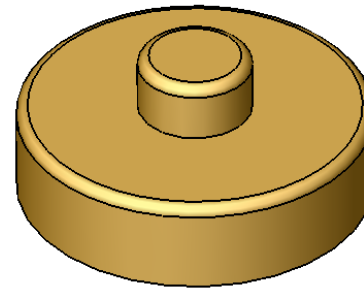
REVISIONS		DATE	APPROVED
ZONE	REV.	DESCRIPTION	



TYP
(R1.50)



C-C



		DIMENSIONS ARE IN INCHES		NAME	DATE	OIL FILTER CAP
		TOLERANCES:		DRAWN		
		FRACTIONAL \pm		CHECKED		
		ANGULAR: MACH \pm BEND \pm		ENG APPR.		
		TWO PLACE DECIMAL \pm		MFG APPR.		
		THREE PLACE DECIMAL \pm		Q.A.		
		MATERIAL --		COMMENTS:		
NEXT ASSY	USED ON	FINISH --				
APPLICATION		DO NOT SCALE DRAWING				
SIZE A	DWG. NO. 66-8358			SCALE: 1:1	WEIGHT:	REV.
						SHEET 1 OF 1