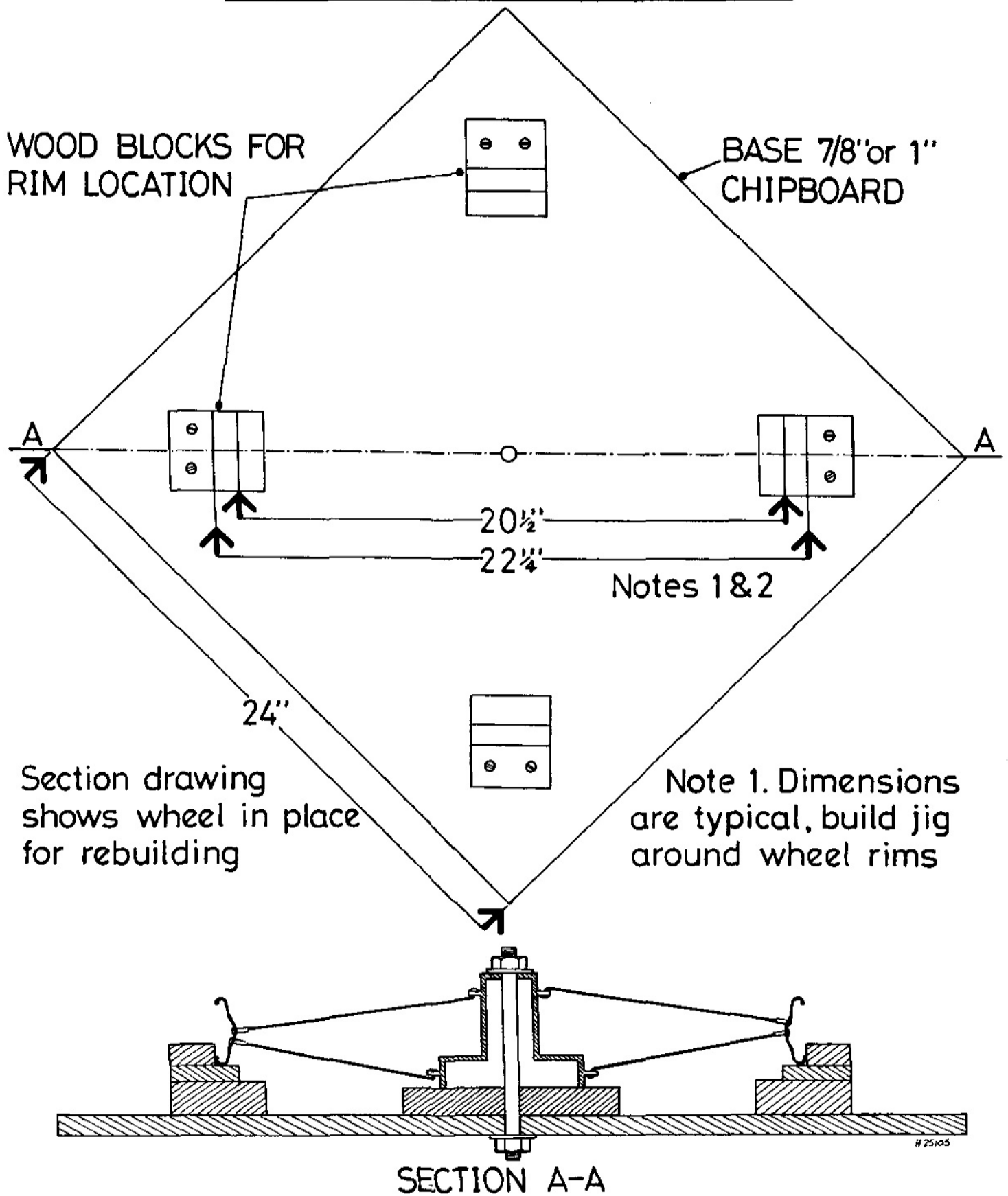


JIG FOR WIRE WHEEL REBUILDING



Note 2. Dimensions are for 24"x 2 1/4" B.E. tyre wheels & 27"x 2.75" WIRE EDGE tyre wheels